



E-CREW

Seat Design & Options



100% Electric Van



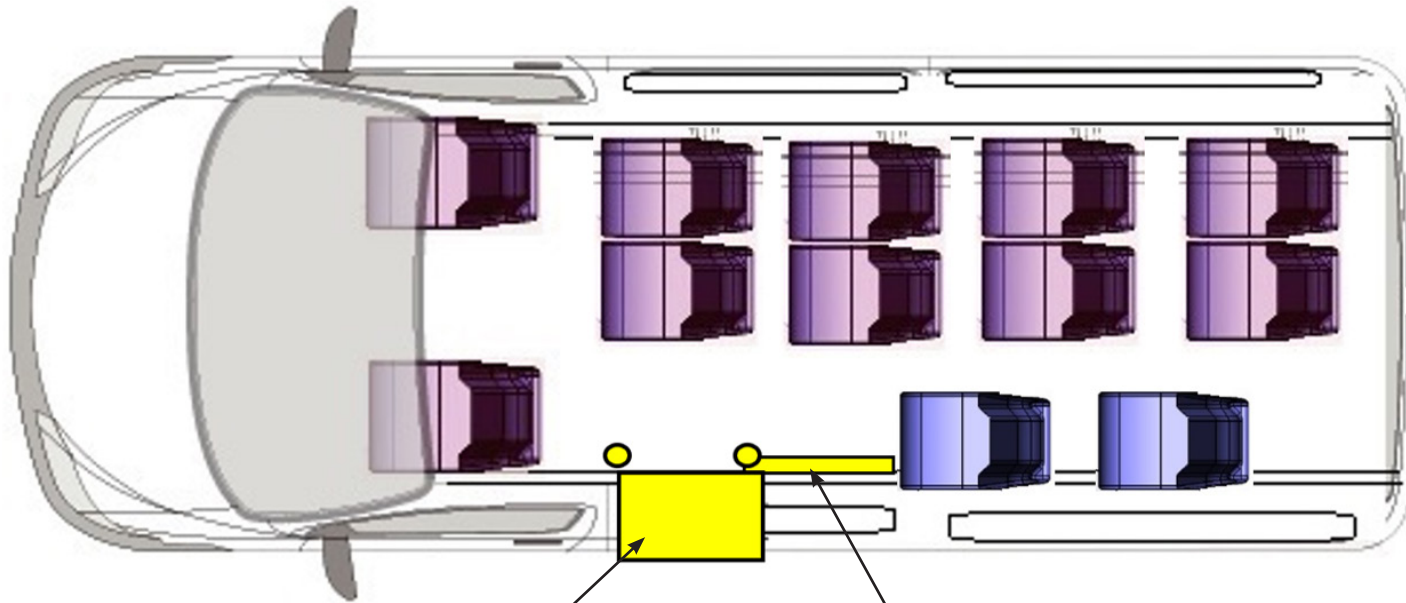


CONTENTS

3. Standard 12 Seat Layout
4. Smartline “Coach” Seats
5. Contra “Access” Suitable Seats
6. 9/10 Seat Wheelchair Access Layout
7. 10/11 Seat Wheelchair Access Layout



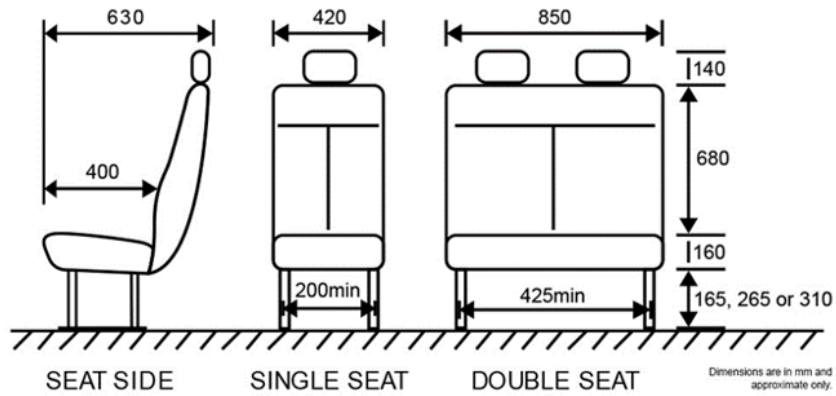
STANDARD 12 SEAT LAYOUT



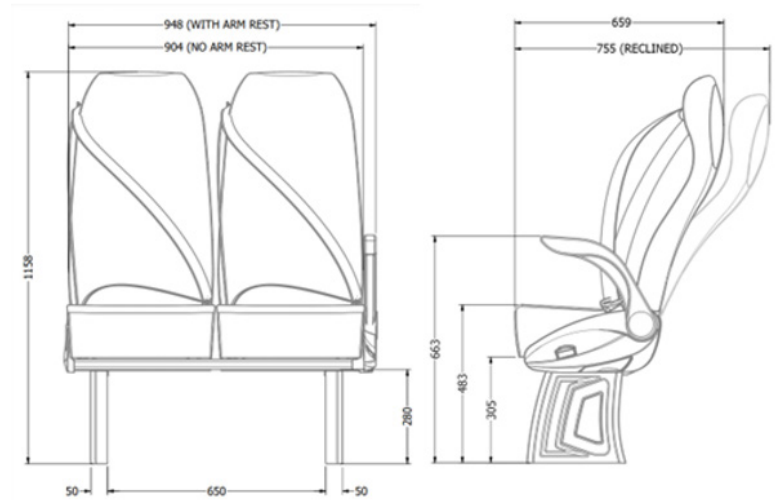
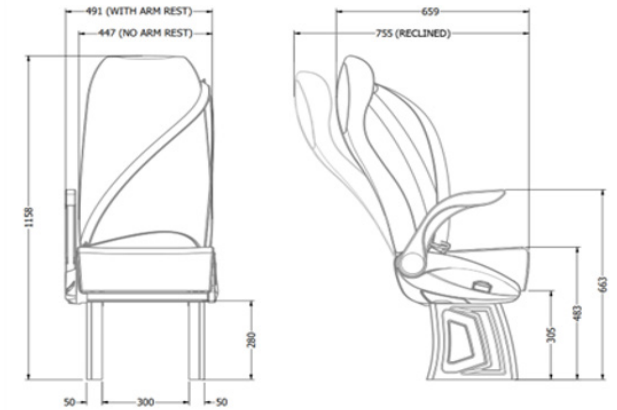
Manual Folding Step

Fixed Hand Rail

Contra "Access" Seats



Smartline "Coach" Seat



SMARTLINE “COACH” STYLE SEATING FOR MINIBUS & WHEELCHAIR ACCESS DESIGNS

FEATURES

- High back coach style seat
- VAN width cushions
- Reclining function
- Aisle side folding armrest
- Rear grab handles
- 3-point ELR seat belts
- Child restraint anchorage points
- Forward or reverse facing options available



Cloth



Vinyl



Other seat options

- Add opposite-side folding armrest
- Delete armrest
- Replace armrest with blank side cover
- Delete rear grab handles
- Delete reclining action
- Foldaway table (Black)
- Reverse Facing (reclining action deleted and backrests locked)
- Seat configured to suit NMI removable legs



STD: Map Pockets



STD: Grab Handles



STD: Folding Arm Rest



OPT: Tray Table (Black Only)

CONTRA "ACCESS" STYLE SEATING FOR MINIBUS & WHEELCHAIR ACCESS DESIGNS

The Contra "Access" seat has a low seat back, narrow design and unique reverse facing ability for space-saving solutions in special purpose vans, patient transport, wheelchair access vans.









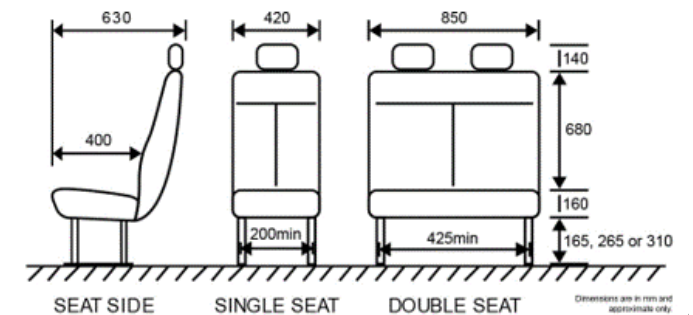
FEATURES

- Single and double seats
- Unique rear or forward-facing ability
- Integrated 3-point retracting seat belts
- Multiple density contoured foam
- Adjustable head restraints & inbuilt child restraint anchor points
- Optional: Side folding

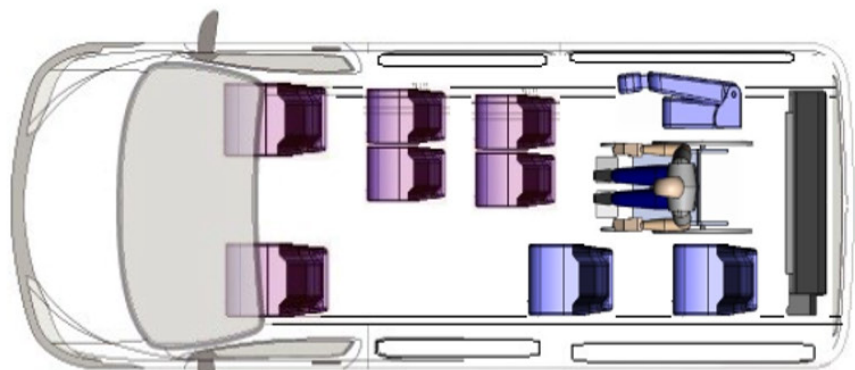
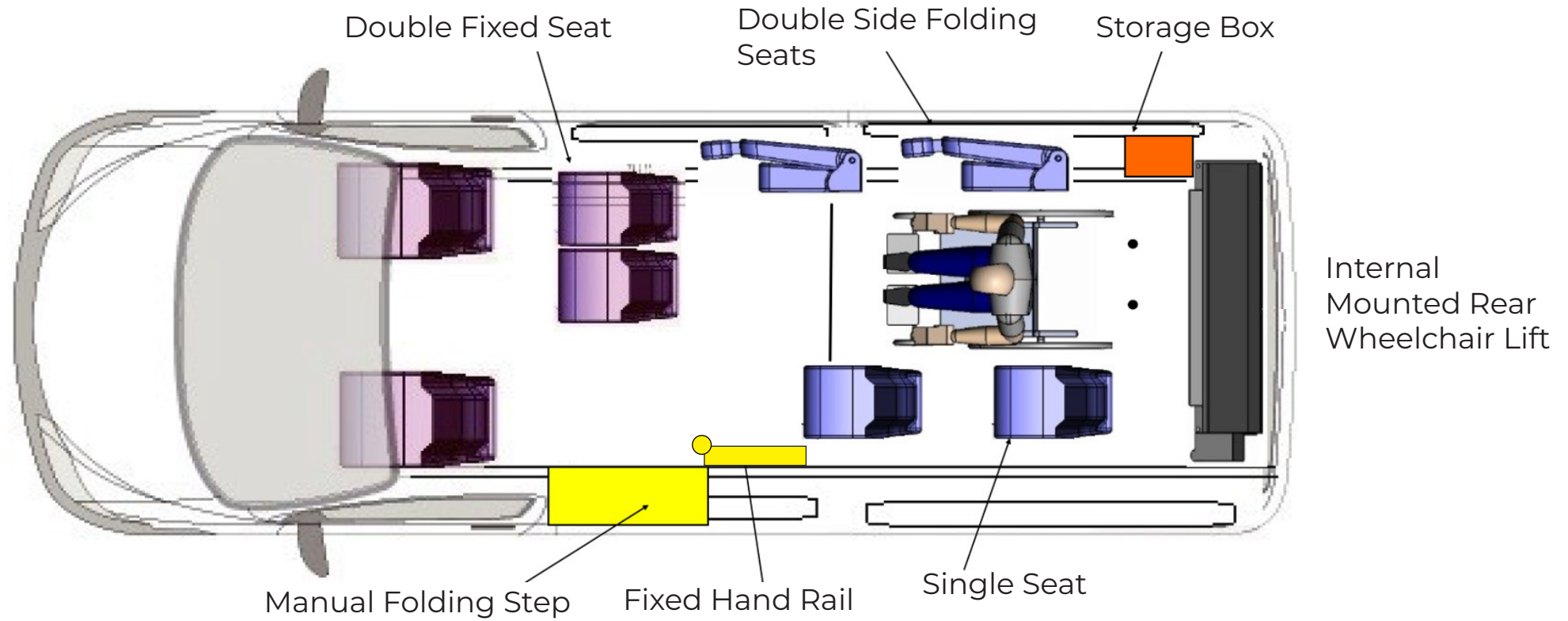


OPTIONS & ACCESSORIES

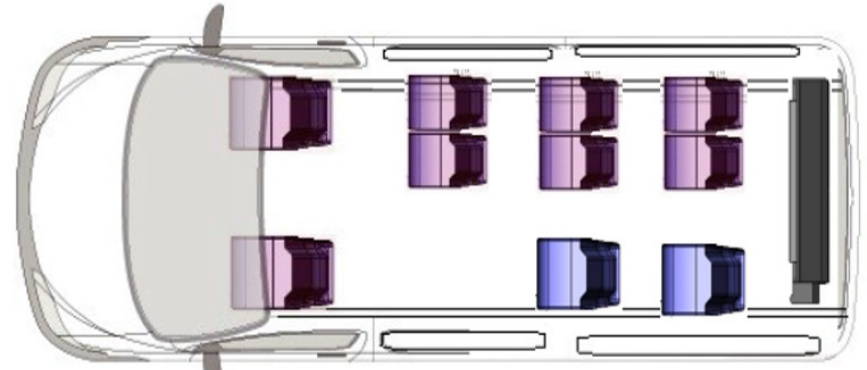
 <p>STANDARD Adjustable head restraint - standard</p>	 <p>OPTIONAL Genuine leather trim upgrade</p>	 <p>OPTIONAL Grab handle fitted to rear of seat back</p>	 <p>OPTIONAL Magazine Holder - Black</p>	 <p>OPTIONAL NMI seat removable mounts</p>	 <p>OPTIONAL Folding only arm restraint</p>
---	---	--	--	--	---



WHEELCHAIR ACCESS 9-10 SEAT LAYOUT

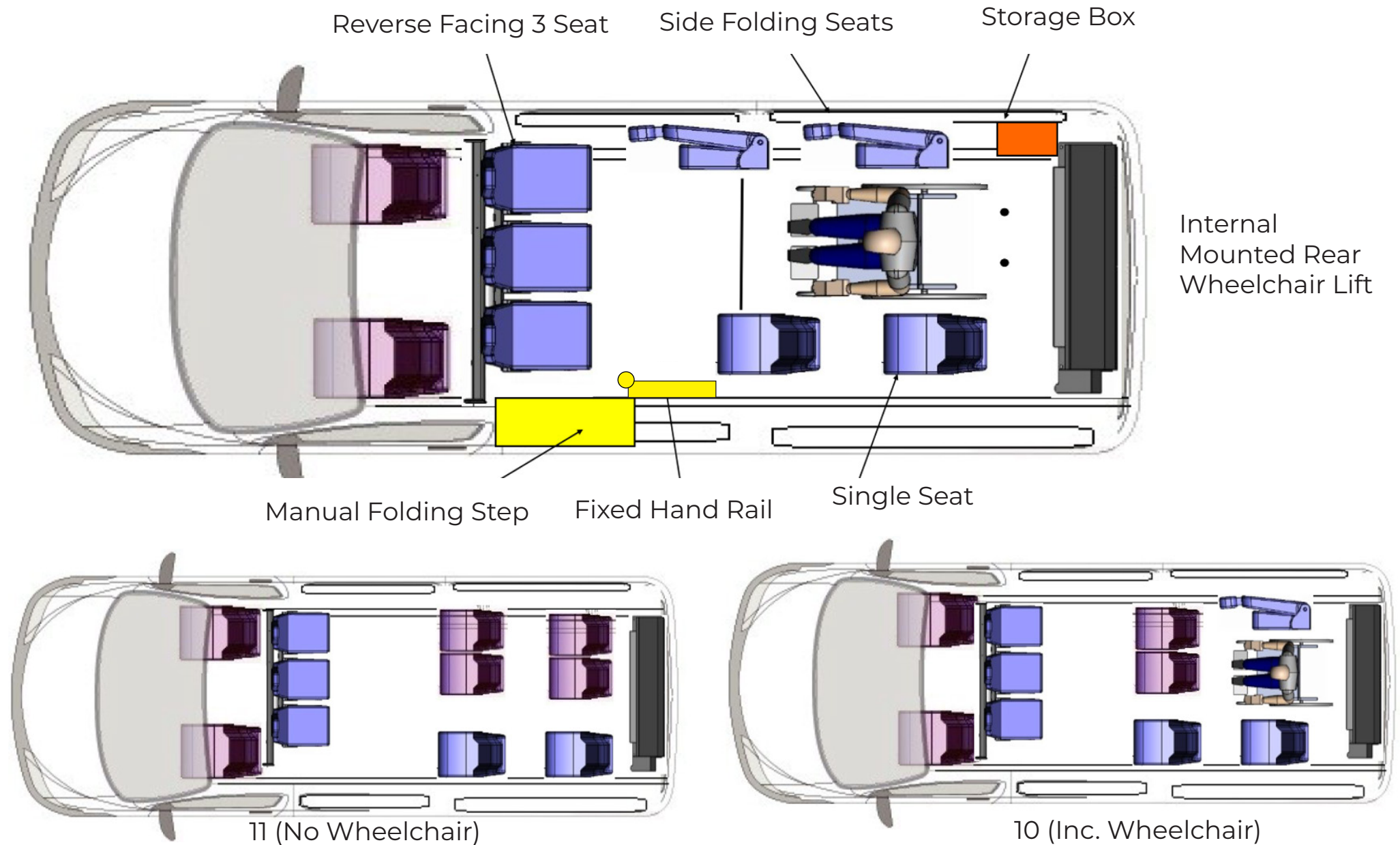


9 (Inc. Wheelchair)



10 (No Wheelchair)

WHEELCHAIR ACCESS 10-11 SEAT LAYOUT





EV AUTOMOTIVE



0448 797 325

0403 259 899

www.ev-a.com.au

info@evautomotive.com.au

33 Wyandra Street, Tenerife, QLD 4005

Part of the Epoca Group of Companies

